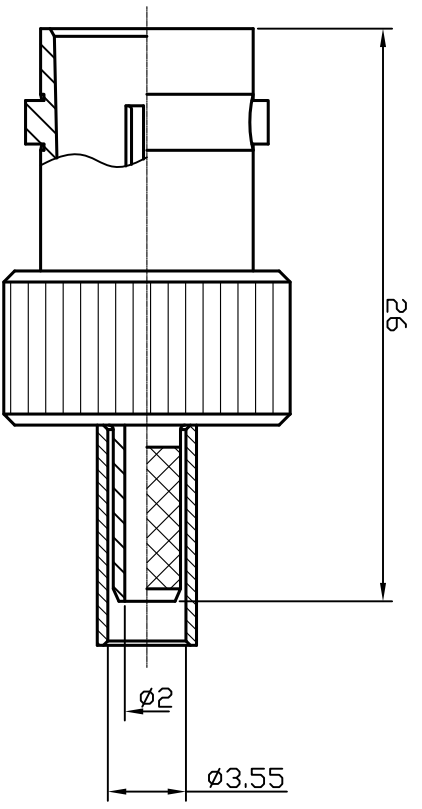


A		B		C		D		E		F	
RevNo	Revision note	Date	Signature	Checked							
00	Sketch Only	6/19/14									



Interface Per: MIL-STD-348, IEC 60169-8

- Material & Finishing:
1. Center conductor: Brozen, Gold Plating
 2. Insulators: PTFE
 3. Body & Other Metal: Nickel, Gold Plating
- Electrical Data:
1. Impedance: 75 Ohms

ROHS Compliant.

UNLESS OTHERWISE NOTED ALL SURFACES FINISHED TO 64/MAX.	
ALL TOLERANCES ARE:	ANGLES
DECIMALS: x ± 1.0	x' ± 1'
FRACTIONS: ± 1/64	x'' ± 0.5
x:xx ± 0.1	

THESE DRAWING & SPEC. ARE THE PROPERTY OF LENO RF AND SHALL NOT BE REPRODUCED, OR COPIED OR USED AS THE BASIS FOR THE MANUFACTURE OR SALE OF APPARATUS OR DEVICES WITHOUT THEIR EXPRESS WRITTEN CONSENT.

ALL DIMENSIONS ARE IN MILLIMETERS AND [INCHES] Unit:mm

Title		BNC 75ohm female crimp for ST212	
Drawn by	Ckd by	Appd by	Date
Scale	3:1		6/19/2014
		36606006	

